

RATHI MUFF COUPLINGS are rigid coupling, designed for use in system where **misalignment is neither present nor desired**. These coupling offer an easy & cost effective method for extending a shaft or adapting between two different shaft sizes.



- Does not Mar the shaft.
- High tensile fasteners assure firm tightening, prevent loosening under vibrations.
- Alternate clamping takes care of better balancing.
- Precision bores makes it easy, simple for quick assembly & alignment.

F E A T U R E S

SIMPLICITY OF CONSTRUCTION

Very few components easy for assembly & dismantling.

NO LUBRICATION

Due to rigid connecting no lubrication is required.

SIMPLE / EASY MAINTENANCE

Their high torque capabilities makes them suitable for higher rpm power transmission applications.

LOW OPERATIONAL COST

As no lubrication is required & maintenance is minimal, operational cost is very low.

SMOOTH & QUIET OPERATION

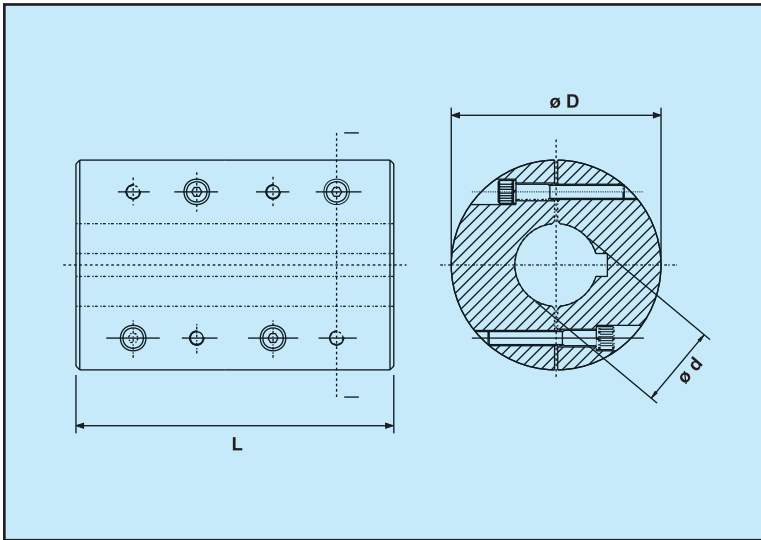
No moving part hence noiseless operation.

Application :

Various types are available to suit different application needs such as :

- Grooved muff couplings for vertical applications.
- Through bore muff couplings.
- Stepped bore muff couplings.
- 3 Piece couplings.
- Ribbed muff couplings.

All above can be made in different material-Cast Iron, Carbon steel Aluminium, Stainless



ORDERING EXAMPLE :

*** FOR THROUGH BORES**

d = 55 mm

Muff Coupling Size - MC 55

*** FOR STEPPED BORES**

d = 55 mm & 60 mm

Muff coupling Size - MC 55 / 60

(Ref overall dimensions of MC 60)

TECHNICAL DATA

| COUPLING SIZE | MAX. BORE ϕd | TORQUE (Nm) | | ALLEN HEAD SCREWS | OUTSIDE DIAMETER D | LENGTH L |
|---------------|-----------------------|-------------|----------------|-------------------|--------------------|----------|
| | | WITH KEY | WITHOUT KEYWAY | | | |
| MC 20 | 20 | 352 | 235 | 8 - M 8 | 60 | 100 |
| MC 25 | 25 | 668 | 445 | 8 - M 10 | 80 | 130 |
| MC 30 | 30 | 801 | 534 | 8 - M 10 | 80 | 130 |
| MC 35 | 35 | 1126 | 750 | 8 - M 10 | 80 | 160 |
| MC 40 | 40 | 1247 | 831 | 8 - M 10 | 80 | 160 |
| MC 45 | 45 | 1546 | 1230 | 8 - M 10 | 100 | 190 |
| MC 50 | 50 | 2052 | 1366 | 8 - M 10 | 100 | 190 |
| MC 55 | 55 | 3015 | 2010 | 8 - M 10 | 120 | 220 |
| MC 60 | 60 | 3286 | 2190 | 8 - M 10 | 120 | 220 |
| MC 70 | 70 | 4836 | 3224 | 10 - M 12 | 140 | 250 |
| MC 80 | 80 | 6804 | 4535 | 10 - M 12 | 160 | 280 |
| MC 90 | 90 | 8383 | 5588 | 10 - M 16 | 180 | 310 |
| MC 100 | 100 | 12480 | 8320 | 12 - M 16 | 200 | 350 |
| MC 110 | 110 | 15840 | 10560 | 12 - M 16 | 220 | 390 |
| MC 120 | 120 | 20646 | 13764 | 14 - M 16 | 250 | 430 |
| MC 140 | 140 | 32634 | 21756 | 14 - M 20 | 280 | 490 |
| MC 160 | 160 | 45120 | 30080 | 14 - M 24 | 320 | 560 |
| MC 180 | 180 | 67392 | 44928 | 14 - M 24 | 360 | 630 |
| MC 200 | 200 | 82680 | 55120 | 14 - M 27 | 400 | 700 |
| MC 220 | 220 | 109048 | 72730 | 16 - M 30 | 450 | 770 |
| MC 240 | 240 | 138384 | 92250 | 16 - M 30 | 480 | 840 |
| MC 260 | 260 | 164424 | 109160 | 16 - M 36 | 520 | 910 |
| MC 280 | 280 | 205422 | 136900 | 16 - M 42 | 570 | 980 |

All Dimensions are in mm unless otherwise specified.

In view of our constant endeavour to improve quality of our products, we reserve the right to alter or change specifications without prior notice. This document is the intellectual property of Rathi Transpower Pvt. Ltd. and subject to copyright.



Rathi Transpower Pvt Ltd

Rathi Chambers, 7, Deccan College Road,
Pune 411 006.(INDIA)
Phone : 91-20-30517201
Fax : 91-20-30517212
E-mail : enquiry@rathigroup.com
Website : www.rathicouplings.com

Distributor